

1

2

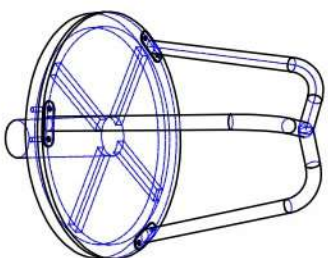
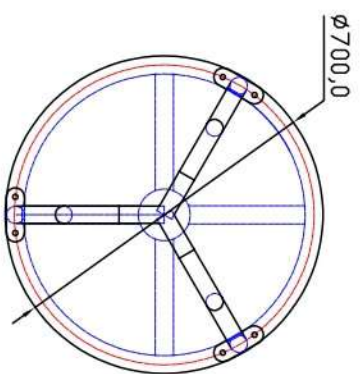
3

4

5

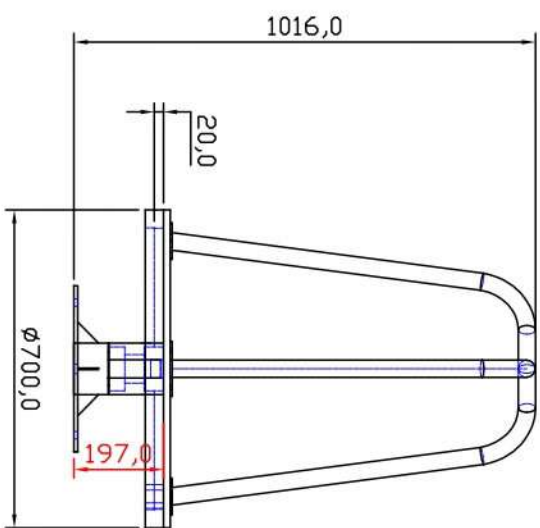
6

A



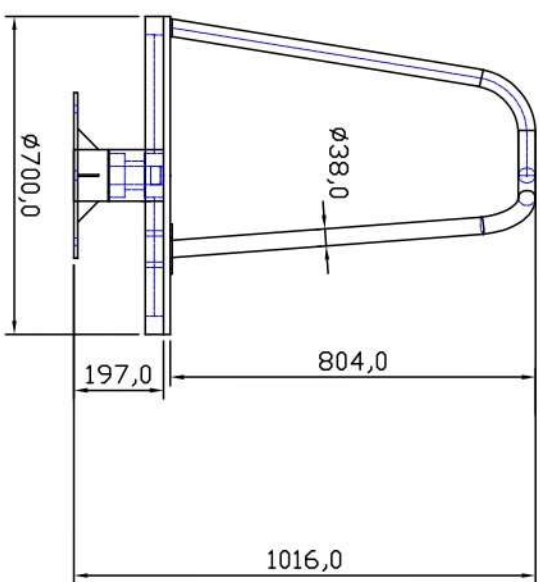
B

1016,0



C

$\phi 38,0$



D

1

2

3

4

5

6

A

B

C

D

komik